



COLORED DIAMOND GRADING REPORT

GIA REPORT 1106023936

August 26, 2011

Laser Inscription Registry **GIA 1106023936**
Shape and Cutting Style **Pear Modified Brilliant**
Measurements **8.88 x 5.80 x 3.17 mm**

GRADING RESULTS

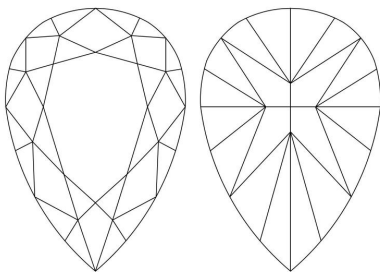
Carat Weight **1.07 carat**
Color
Origin **HPHT PROCESSED**
Grade **FANCY INTENSE**
..... **PINK***
Distribution **Even**
Clarity Grade **VVS2**

ADDITIONAL GRADING INFORMATION

Finish
Polish **Very Good**
Symmetry **Good**
Fluorescence **None**

Comments:
Clarity grade is based on internal graining that is not shown.
Additional Inscription:
bellataire
HPHT Processed: * **This diamond has been processed by high pressure/high temperature (HPHT) to change its color.**

REFERENCE DIAGRAMS

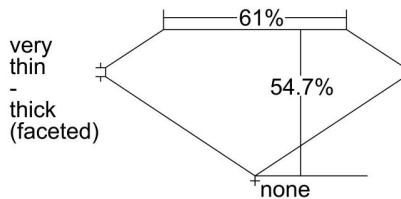
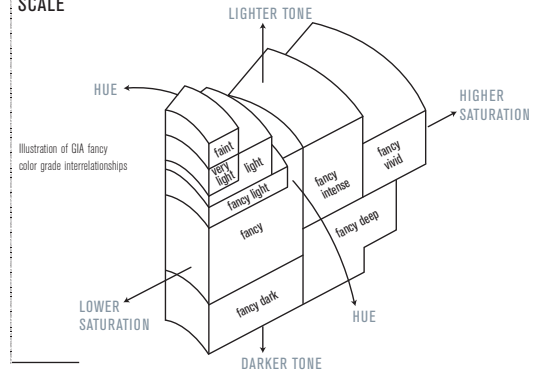


KEY TO SYMBOLS

Red symbols denote internal characteristics (inclusions). Green or black symbols denote external characteristics (blemishes). Diagram is an approximate representation of the diamond, and symbols shown indicate type, position, and approximate size of clarity characteristics. All clarity characteristics may not be shown. Details of finish are not shown.

GIA CLARITY SCALE	
FLAWLESS	INCLUDED
INTERNALLY FLAWLESS	
VVS ₁	VERY VERY SLIGHTLY INCLUDED
VVS ₂	
VS ₁	VERY SLIGHTLY INCLUDED
VS ₂	
S ₁	SLIGHTLY INCLUDED
S ₂	
I ₁	INCLUDED
I ₂	
I ₃	

GIA COLORED DIAMOND SCALE



Profile not to actual proportions

This is a digital representation of the original GIA Report. To verify the information herein, please refer to reportscheck.gia.edu. This Report is not a guarantee, valuation or appraisal and contains only the characteristics of the diamond described herein after it has been graded, tested, examined and analyzed by the laboratory providing this Report ("GIA") and/or has been inscribed using the techniques and equipment used by GIA at the time of the examination and/or inscription. Inscriptions reported in this document are not a guarantee, validation, or warranty of a diamond's quality, country of origin or source; or that the diamond will be identifiable by the inscription in the future (since inscriptions can be removed). GIA makes no representation concerning any trademark, word, or symbol which is inscribed by GIA or which is identified on this Report. The recipient of this Report may wish to consult a credentialed jeweler or gemologist about the information contained herein.

For terms, conditions, and limitations, see www.gia.edu/terms or call 800-421-7250 or 760-603-4500.





COLORED DIAMOND GRADING REPORT

GRADING RESULTS

ADDITIONAL GRADING INFORMATION

REFERENCE DIAGRAMS

Facsimile

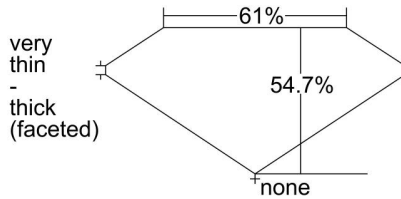
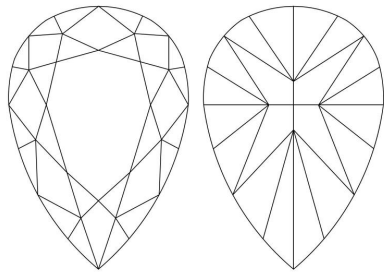
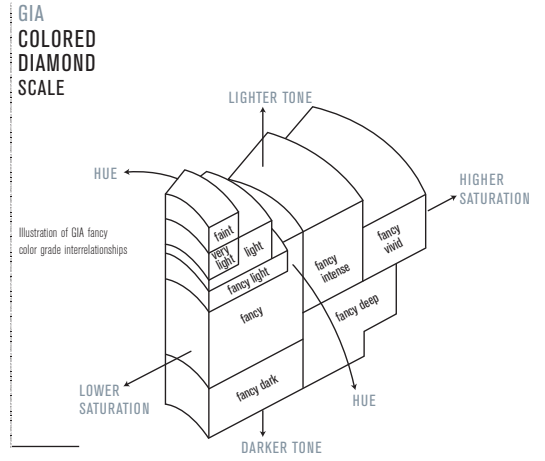
5355 Armada Drive | Carlsbad, CA 92008-4602
T: 760-603-4500 | F: 760-603-1814

GIA Laboratories
Bangkok Carlsbad Gaborone
Johannesburg Mumbai New York

www.gia.edu

GIA CLARITY SCALE

FLAWLESS
INTERNALLY FLAWLESS
VERY VERY SLIGHTLY INCLUDED
VVS ₁
VVS ₂
VERY SLIGHTLY INCLUDED
VS ₁
VS ₂
SLIGHTLY INCLUDED
S ₁
S ₂
INCLUDED
I ₁
I ₂
I ₃



Profile not to actual proportions

KEY TO SYMBOLS

Red symbols denote internal characteristics (inclusions). Green or black symbols denote external characteristics (blemishes). Diagram is an approximate representation of the diamond, and symbols shown indicate type, position, and approximate size of clarity characteristics. All clarity characteristics may not be shown. Details of finish are not shown.

This is a digital representation of the original GIA Report. To verify the information herein, please refer to reportscheck.gia.edu. This Report is not a guarantee, valuation or appraisal and contains only the characteristics of the diamond described herein after it has been graded, tested, examined and analyzed by the laboratory providing this Report ("GIA") and/or has been inscribed using the techniques and equipment used by GIA at the time of the examination and/or inscription. Inscriptions reported in this document are not a guarantee, validation, or warranty of a diamond's quality, country of origin or source; or that the diamond will be identifiable by the inscription in the future (since inscriptions can be removed). GIA makes no representation concerning any trademark, word, or symbol which is inscribed by GIA or which is identified on this Report. The recipient of this Report may wish to consult a credentialed jeweler or gemologist about the information contained herein.

For terms, conditions, and limitations, see www.gia.edu/terms or call 800-421-7250 or 760-603-4500.

