



**GIA**  
GEMOLOGICAL INSTITUTE OF AMERICA®

COLORED DIAMOND GRADING REPORT

GIA REPORT 11982152

April 12, 2012

Laser Inscription Registry ..... **GIA 11982152**  
 Shape and Cutting Style ..... **Cushion Modified Brilliant**  
 Measurements ..... 15.58 x 12.64 x 7.58 mm

GRADING RESULTS

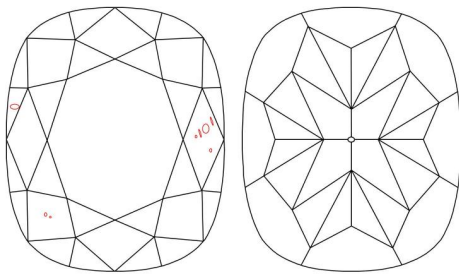
Carat Weight ..... **12.12 carat**  
 Color ..... **HPHT PROCESSED FANCY INTENSE PURPLISH PINK\***  
 Origin ..... **HPHT PROCESSED**  
 Grade ..... **FANCY INTENSE PURPLISH PINK\***  
 Distribution ..... **Even**  
 Clarity Grade ..... **S11**

ADDITIONAL GRADING INFORMATION

Finish  
 Polish ..... Very Good  
 Symmetry ..... Good  
 Fluorescence ..... None

Comments:  
 A pinpoint is not shown.  
 Internal graining is not shown.  
 Additional Inscription:  
 bellataire  
 HPHT Processed: \* **This diamond has been processed by high pressure/high temperature (HPHT) to change its color.**

REFERENCE DIAGRAMS



KEY TO SYMBOLS

○ Crystal

Red symbols denote internal characteristics (inclusions). Green or black symbols denote external characteristics (blemishes). Diagram is an approximate representation of the diamond, and symbols shown indicate type, position, and approximate size of clarity characteristics. All clarity characteristics may not be shown. Details of finish are not shown.

Facsimile

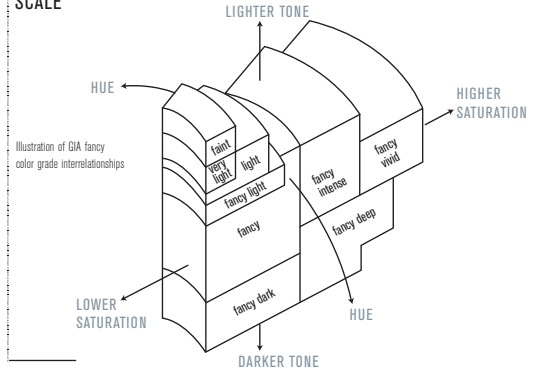
5355 Armada Drive | Carlsbad, CA 92008-4602  
 T: 760-603-4500 | F: 760-603-1814

**GIA Laboratories**  
 Bangkok Carlsbad Gaborone  
 Johannesburg Mumbai New York

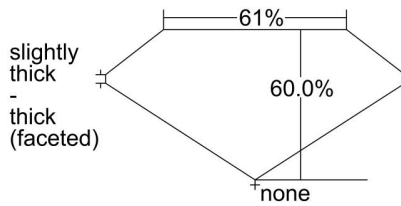
www.gia.edu

GIA CLARITY SCALE	
FLAWLESS	VERY VERY SLIGHTLY INCLUDED
INTERNALLY FLAWLESS	
VVS <sub>1</sub>	VERY SLIGHTLY INCLUDED
VVS <sub>2</sub>	
VS <sub>1</sub>	SLIGHTLY INCLUDED
VS <sub>2</sub>	
S1 <sub>1</sub>	INCLUDED
S1 <sub>2</sub>	
I <sub>1</sub>	
I <sub>2</sub>	INCLUDED
I <sub>3</sub>	

GIA COLORED DIAMOND SCALE



210516111843



Profile not to actual proportions

This is a digital representation of the original GIA Report. To verify the information herein, please refer to [reportscheck.gia.edu](http://reportscheck.gia.edu). This Report is not a guarantee, valuation or appraisal and contains only the characteristics of the diamond described herein after it has been graded, tested, examined and analyzed by the laboratory providing this Report ("GIA") and/or has been inscribed using the techniques and equipment used by GIA at the time of the examination and/or inscription. Inscriptions reported in this document are not a guarantee, validation, or warranty of a diamond's quality, country of origin or source; or that the diamond will be identifiable by the inscription in the future (since inscriptions can be removed). GIA makes no representation concerning any trademark, word, or symbol which is inscribed by GIA or which is identified on this Report. The recipient of this Report may wish to consult a credentialed jeweler or gemologist about the information contained herein.

For terms, conditions, and limitations, see [www.gia.edu/terms](http://www.gia.edu/terms) or call 800-421-7250 or 760-603-4500.





COLORED DIAMOND GRADING REPORT

**GRADING RESULTS**

**ADDITIONAL GRADING INFORMATION**

**REFERENCE DIAGRAMS**

Facsimile

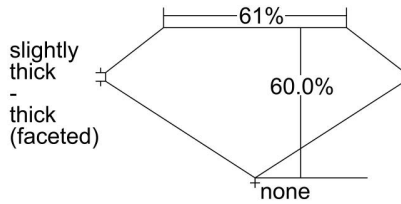
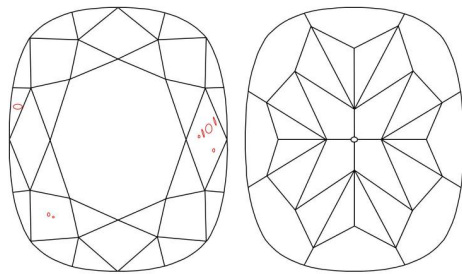
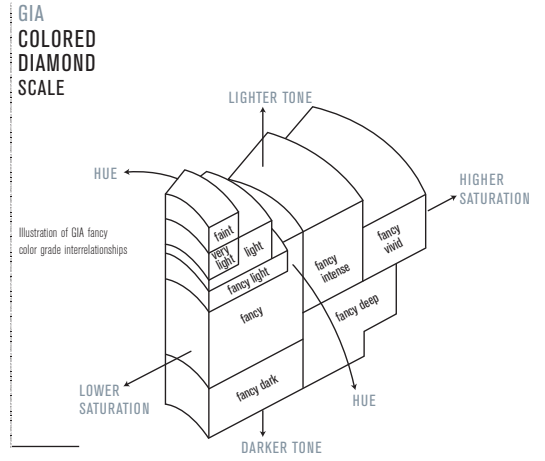
5355 Armada Drive | Carlsbad, CA 92008-4602  
T: 760-603-4500 | F: 760-603-1814

**GIA Laboratories**  
Bangkok Carlsbad Gaborone  
Johannesburg Mumbai New York

www.gia.edu

**GIA CLARITY SCALE**

FLAWLESS
INTERNALLY FLAWLESS
VERY VERY SLIGHTLY INCLUDED
VVS <sub>1</sub>
VVS <sub>2</sub>
VERY SLIGHTLY INCLUDED
VS <sub>1</sub>
VS <sub>2</sub>
SLIGHTLY INCLUDED
S <sub>1</sub>
S <sub>2</sub>
INCLUDED
I <sub>1</sub>
I <sub>2</sub>
I <sub>3</sub>



Profile not to actual proportions

**KEY TO SYMBOLS**

○ Crystal

Red symbols denote internal characteristics (inclusions). Green or black symbols denote external characteristics (blemishes). Diagram is an approximate representation of the diamond, and symbols shown indicate type, position, and approximate size of clarity characteristics. All clarity characteristics may not be shown. Details of finish are not shown.

This is a digital representation of the original GIA Report. To verify the information herein, please refer to [reportcheck.gia.edu](http://reportcheck.gia.edu). This Report is not a guarantee, valuation or appraisal and contains only the characteristics of the diamond described herein after it has been graded, tested, examined and analyzed by the laboratory providing this Report ("GIA") and/or has been inscribed using the techniques and equipment used by GIA at the time of the examination and/or inscription. Inscriptions reported in this document are not a guarantee, validation, or warranty of a diamond's quality, country of origin or source; or that the diamond will be identifiable by the inscription in the future (since inscriptions can be removed). GIA makes no representation concerning any trademark, word, or symbol which is inscribed by GIA or which is identified on this Report. The recipient of this Report may wish to consult a credentialed jeweler or gemologist about the information contained herein.

For terms, conditions, and limitations, see [www.gia.edu/terms](http://www.gia.edu/terms) or call 800-421-7250 or 760-603-4500.

